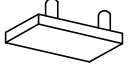
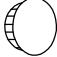
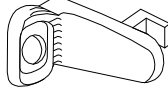

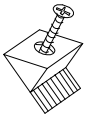
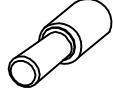
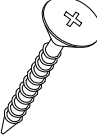
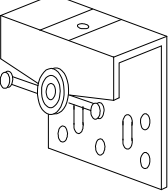
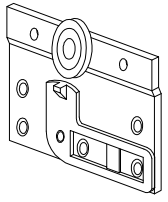


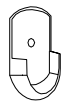

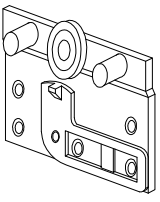
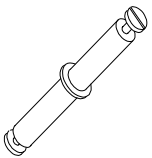

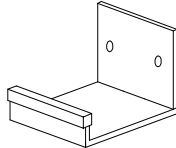
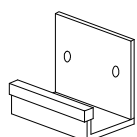
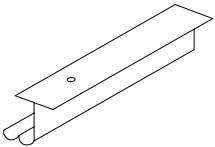
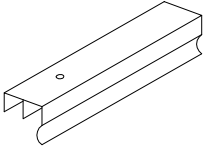
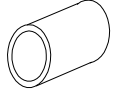

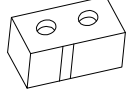
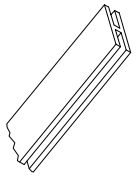
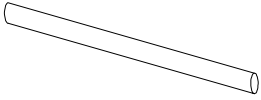
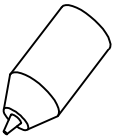
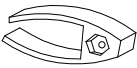
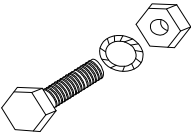
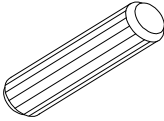

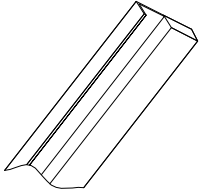
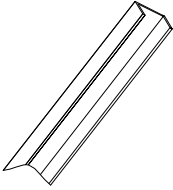
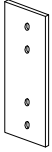
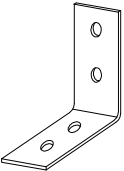
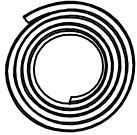
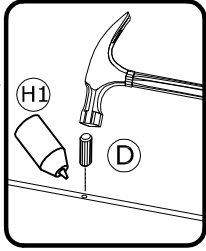
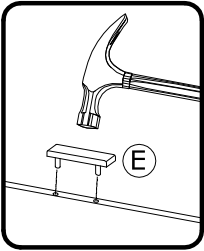
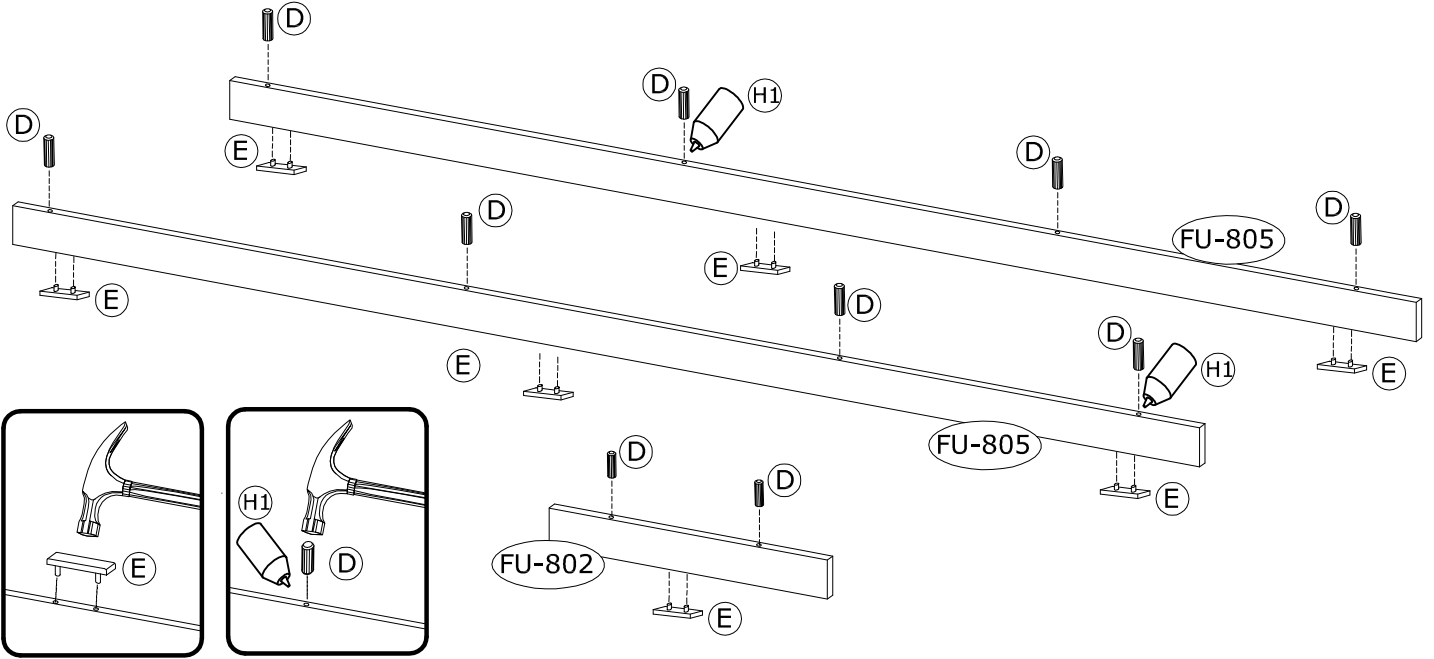
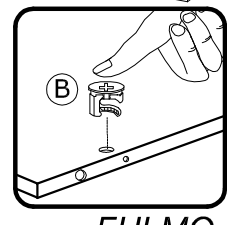
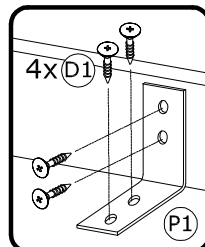
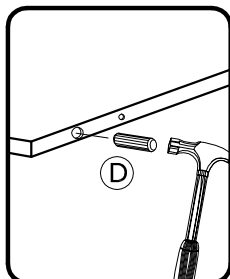
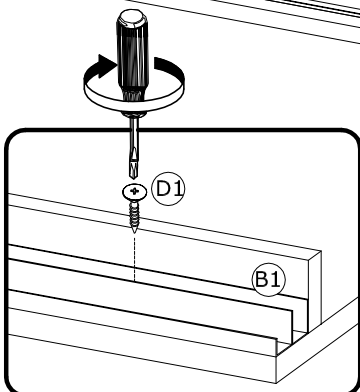
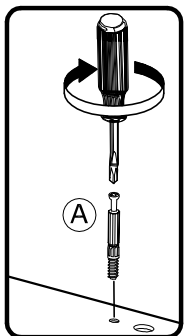
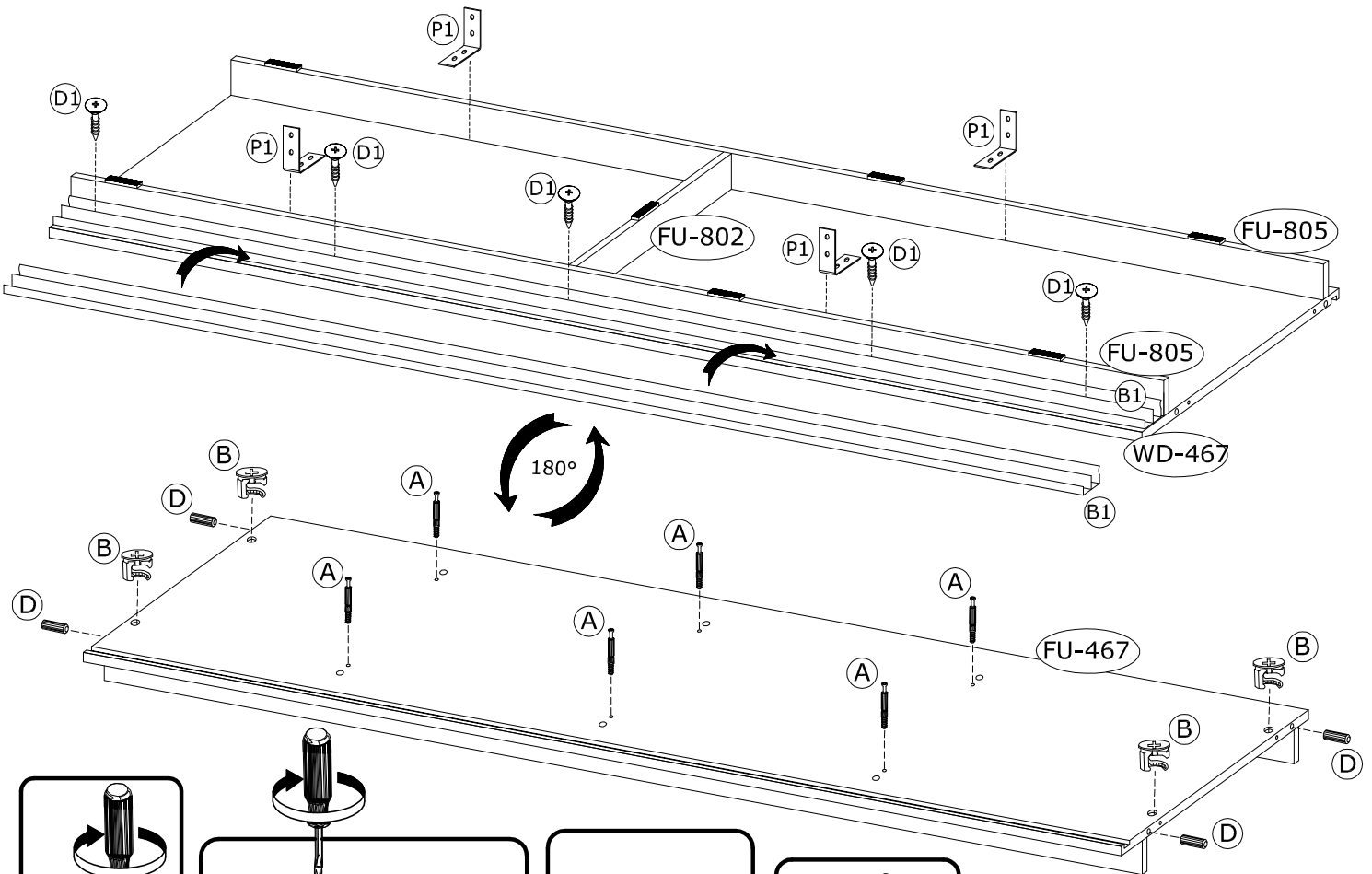
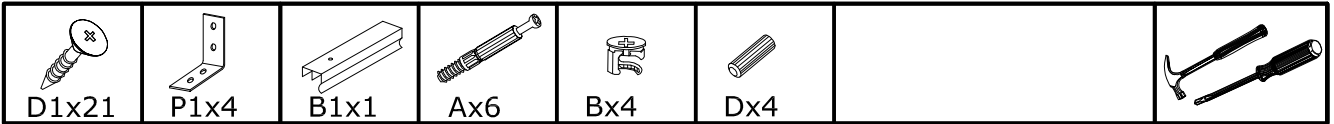

Ø6.5x36.5mm A-32	Ø15x16mm B-36	Ø20 C-36	Ø8x30mm D-46
			
E-13	F-4	G-8	Ø6.3x11mm EU-8
			
I-24	Ø5x16mm J-16	Ø3,5x25mm K-4	L-2
			
M-1	N-6	M4x8mm O-12	P-4
			
Ø3,0x13mm R-36	S-1	T-2	Ø6.3x13mm U-24
			
W-2	Z-2	L-2466mm A1-1	L-2466mm B1-1
			
PCV C1-1	Ø3,5x16mm D1-57	E1-2	L-470mm G1-2

 <p>L-503 DR-2</p>	 <p>H1-1</p>	 <p>I1-2</p>	 <p>J1-2</p>
 <p>Ø5x35mm D2-8</p>	 <p>L1-8</p>	 <p>L-2124mm M1-3</p>	 <p>L-2124mm N1-1</p>
 <p>O1-8</p>	 <p>40x40/20mm P1-4</p>	 <p>LP-1</p>	

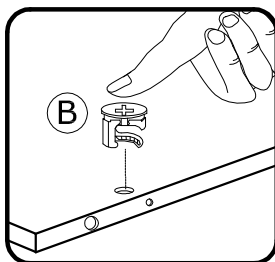
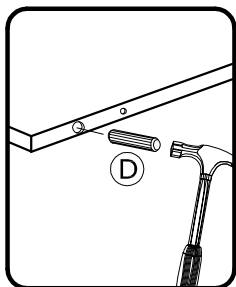
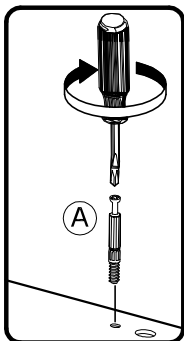
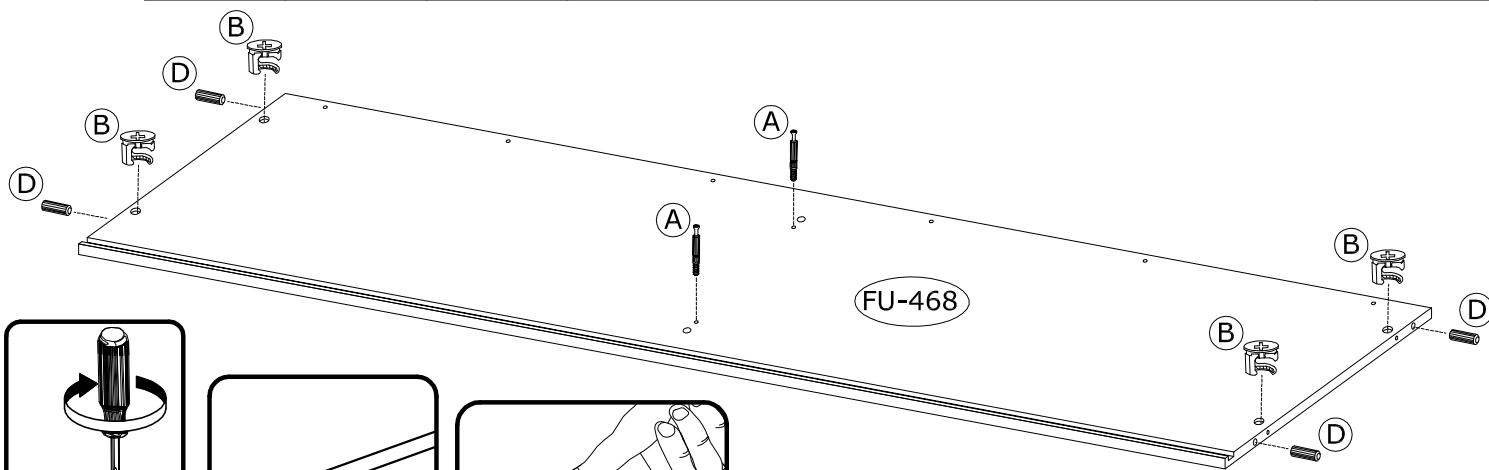
1



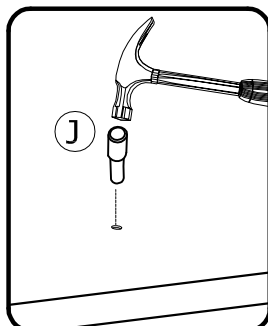
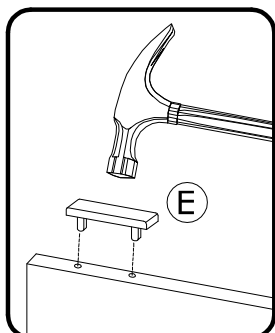
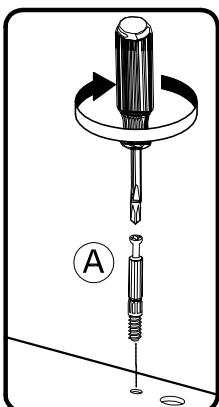
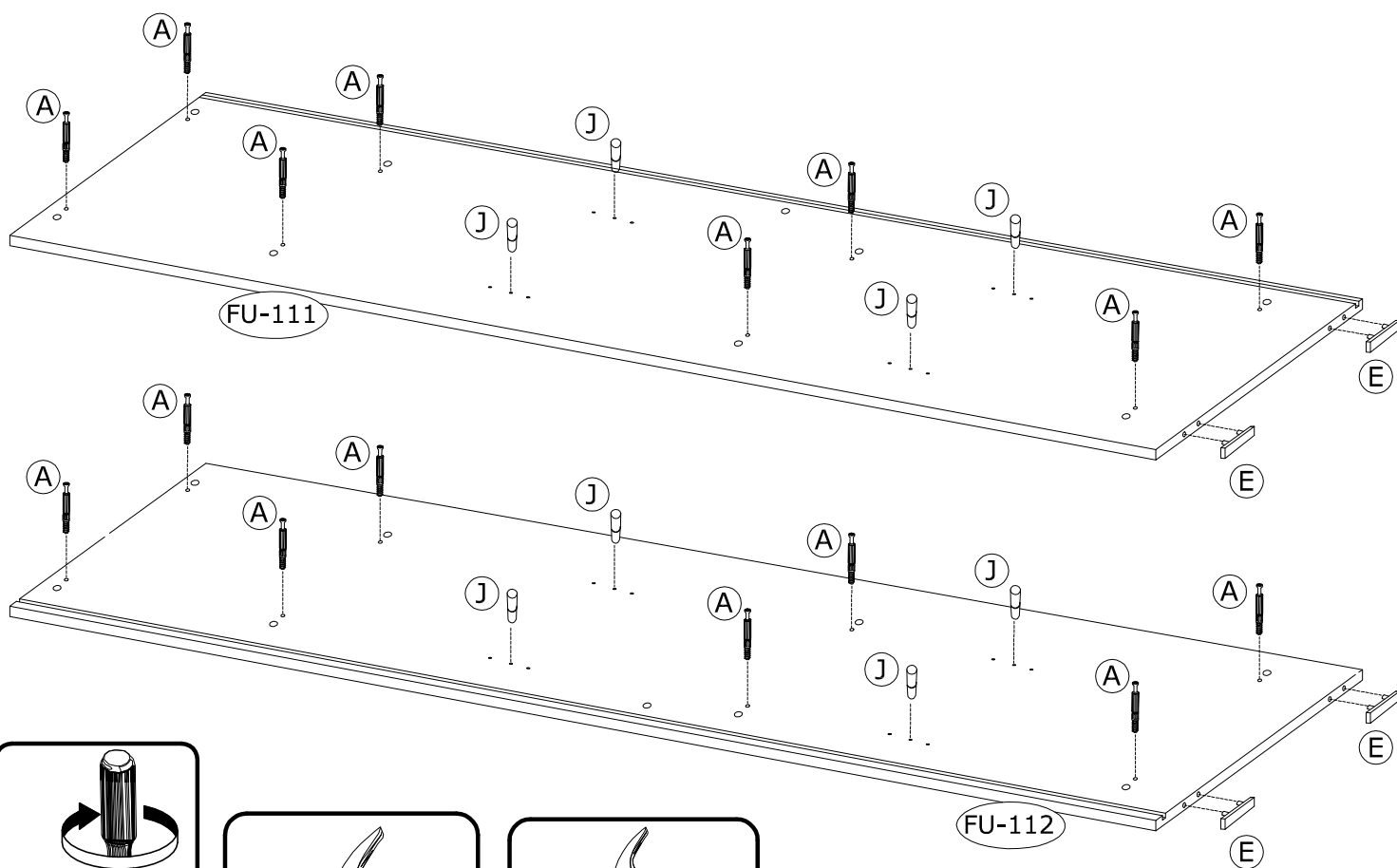
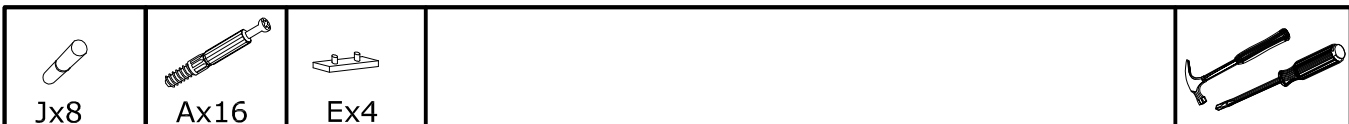
2



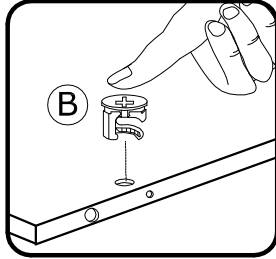
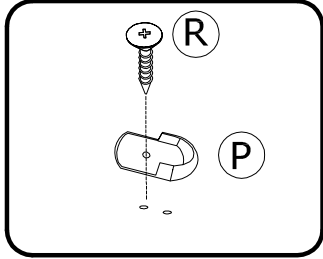
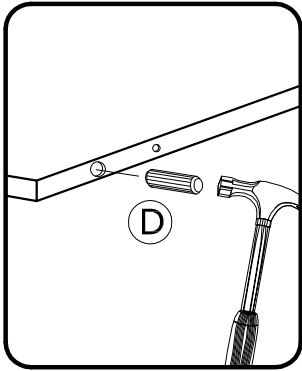
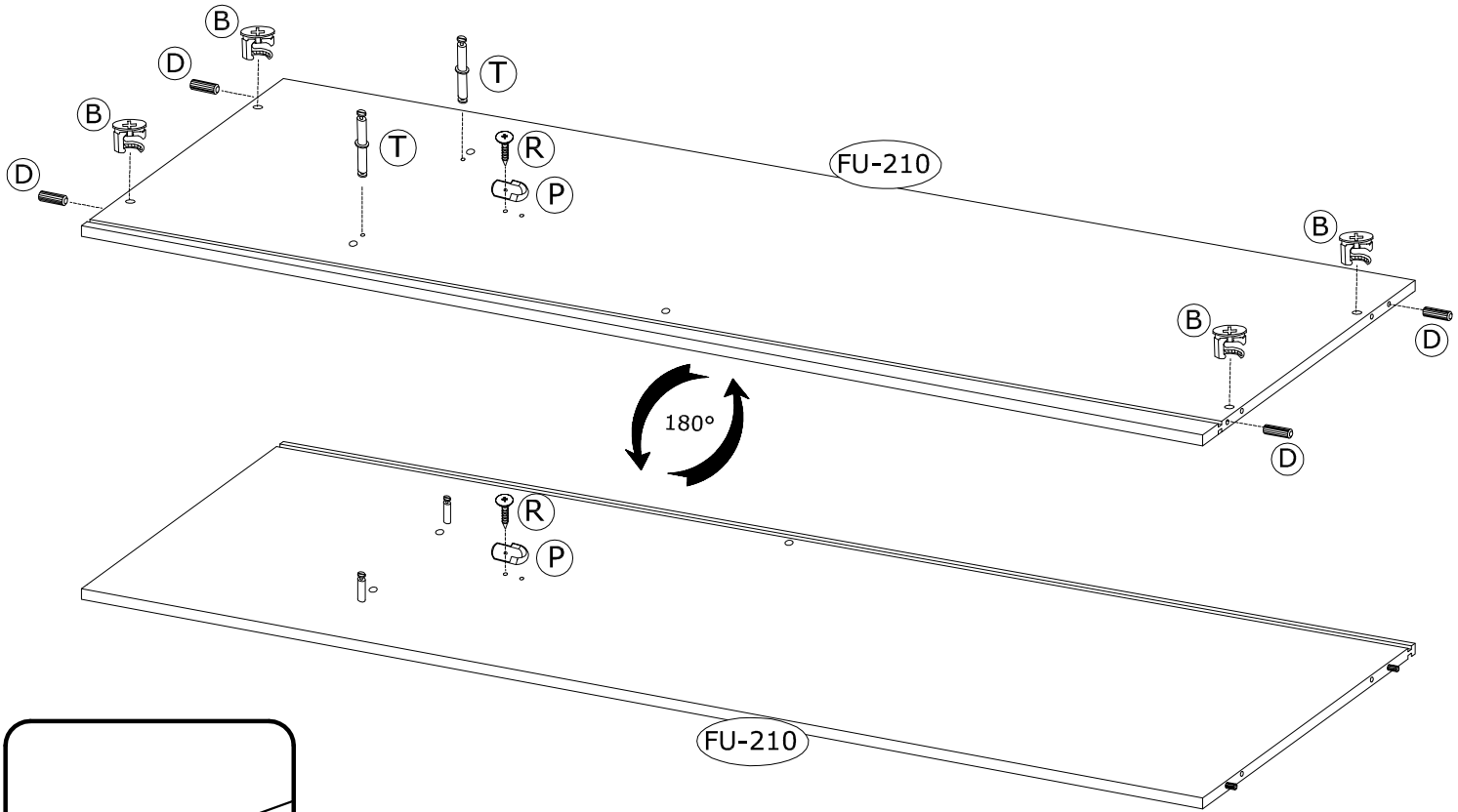
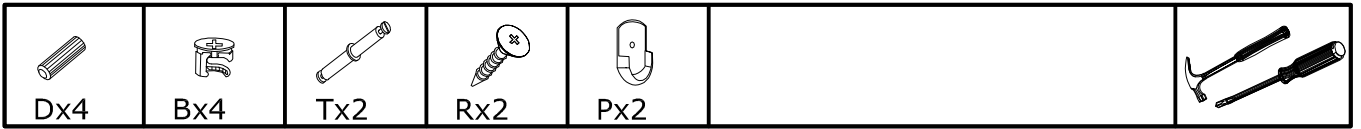
3



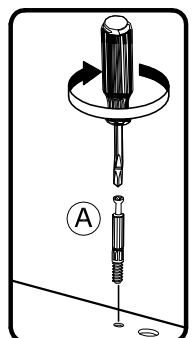
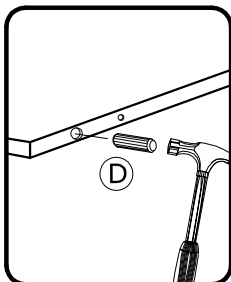
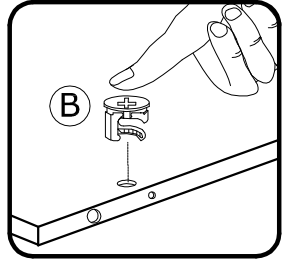
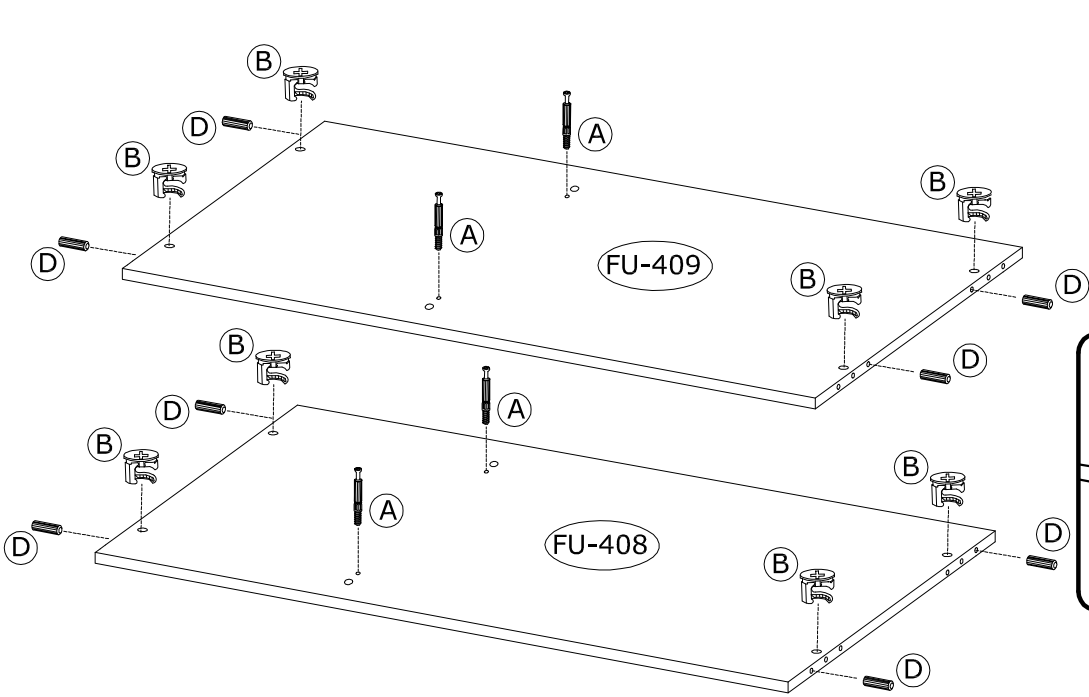
4



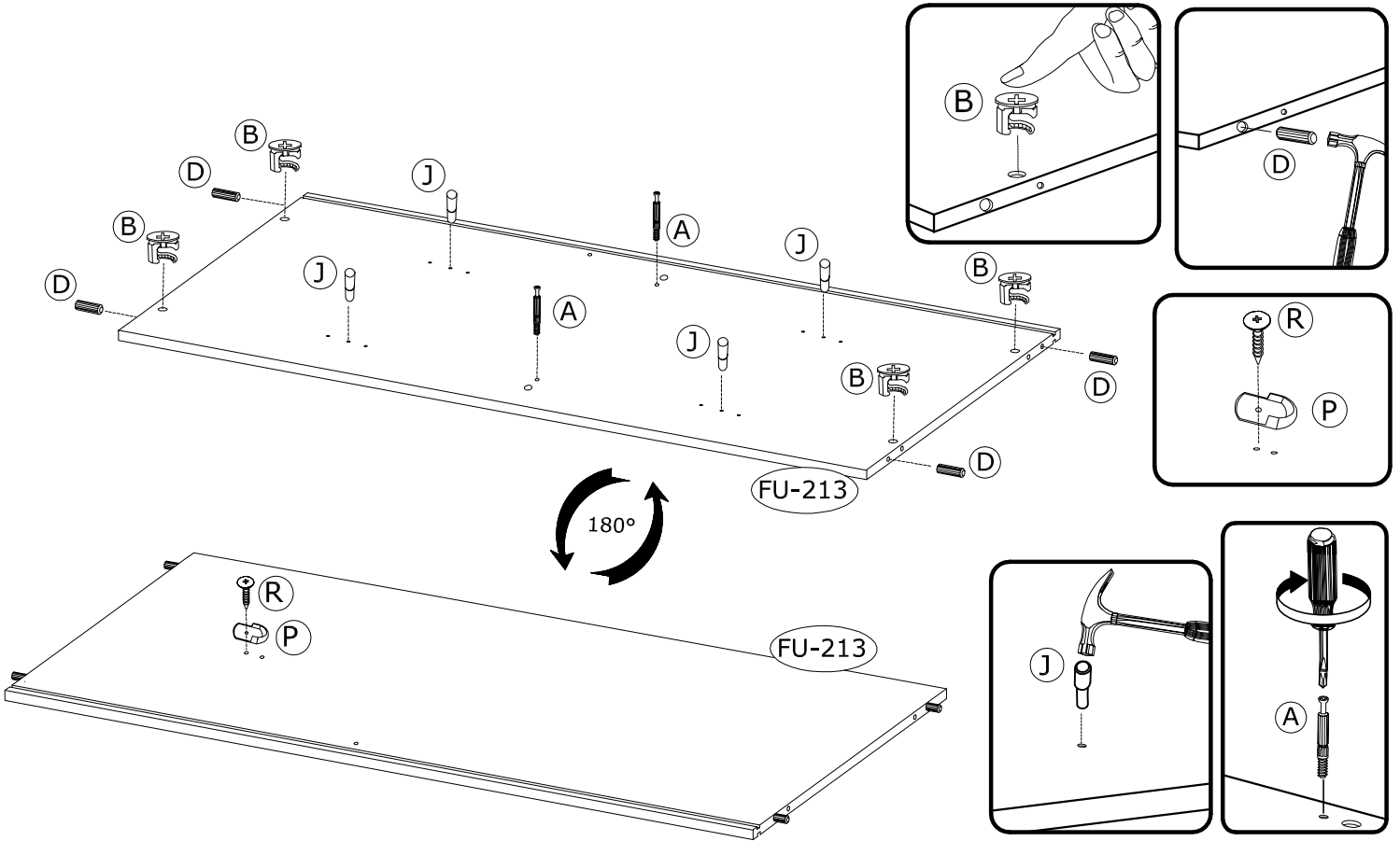
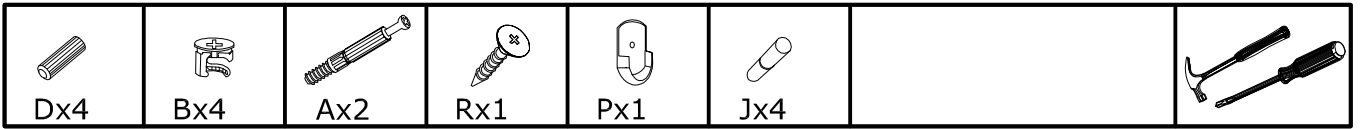
5



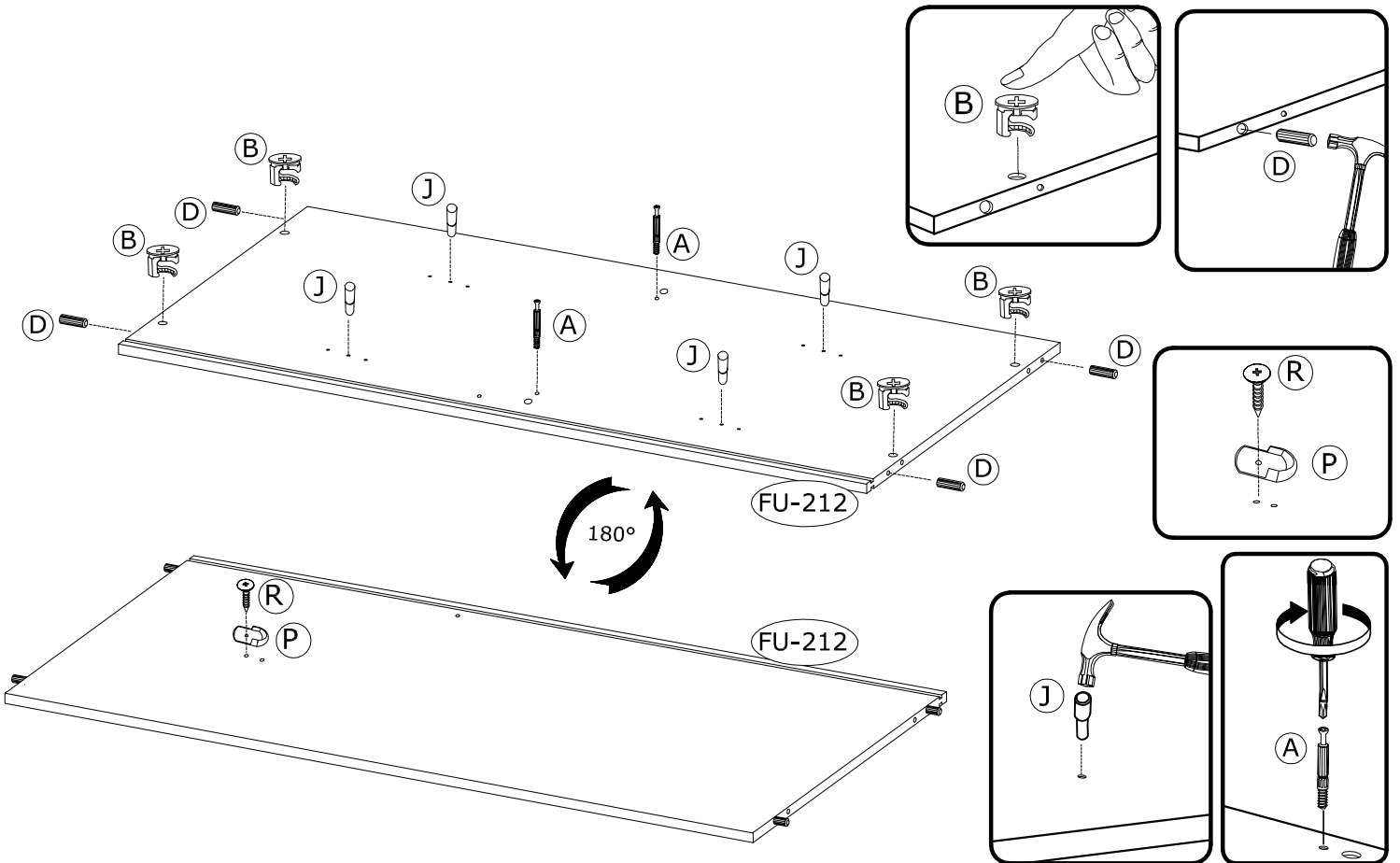
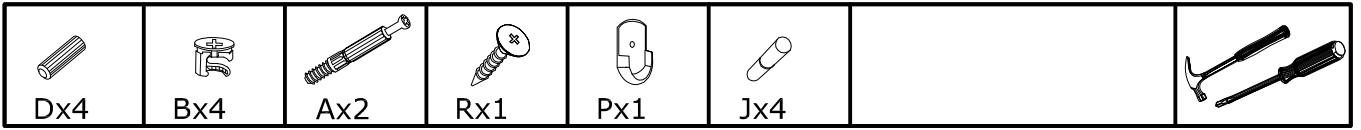
6



7



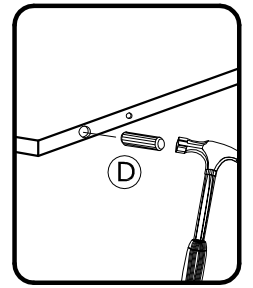
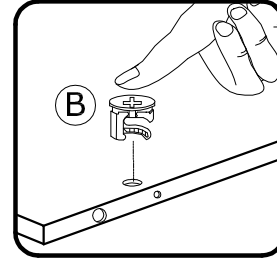
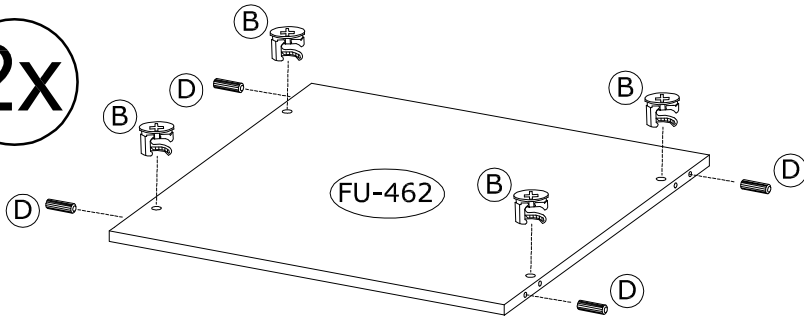
8



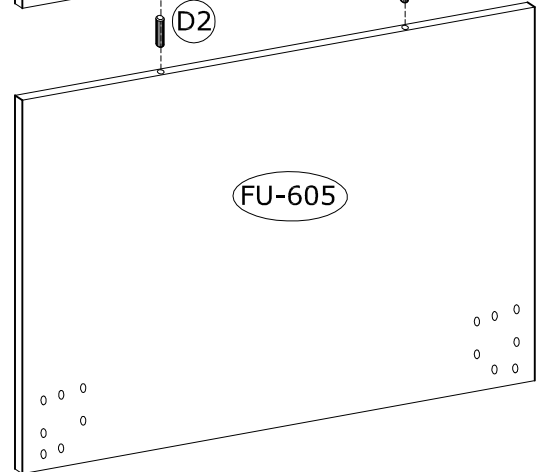
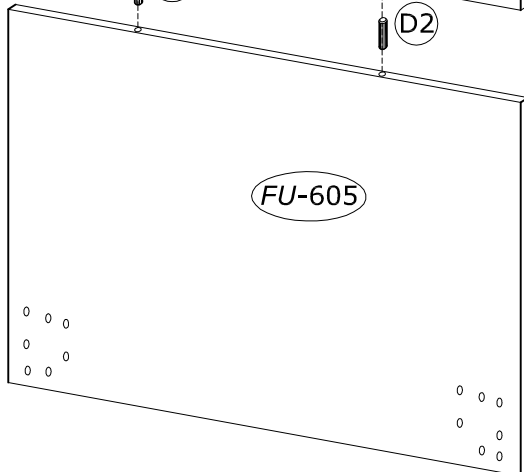
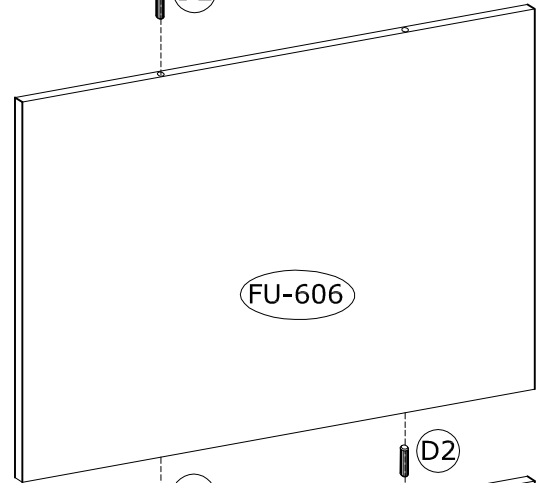
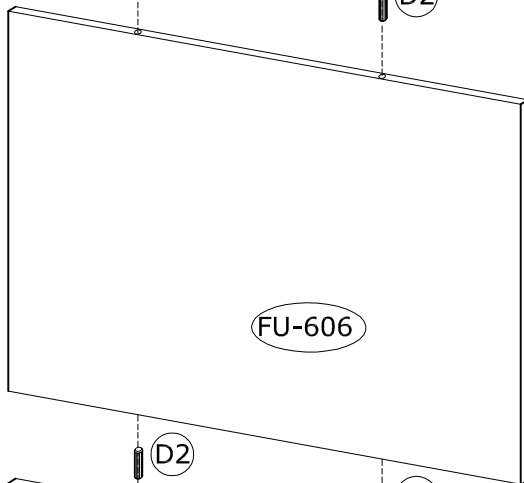
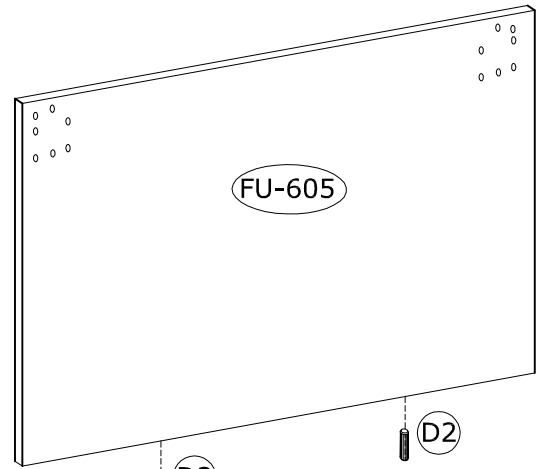
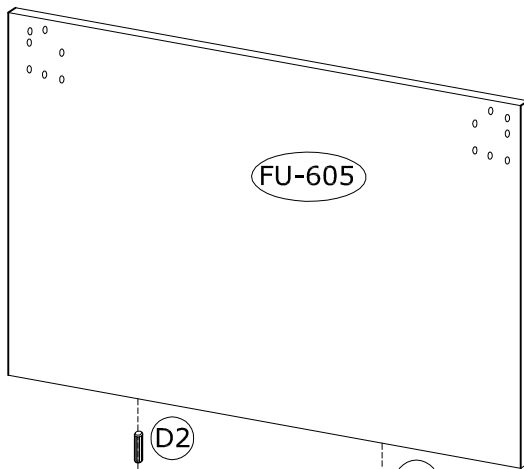
9



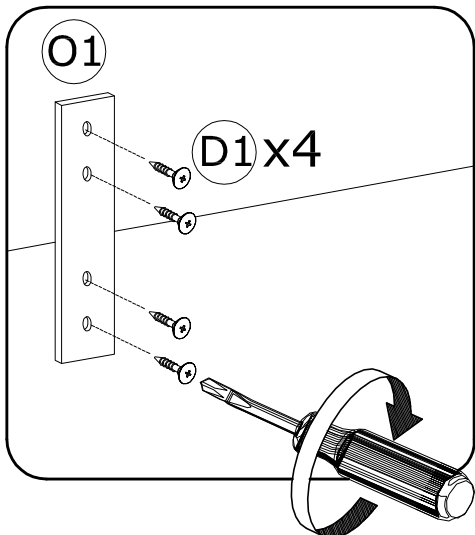
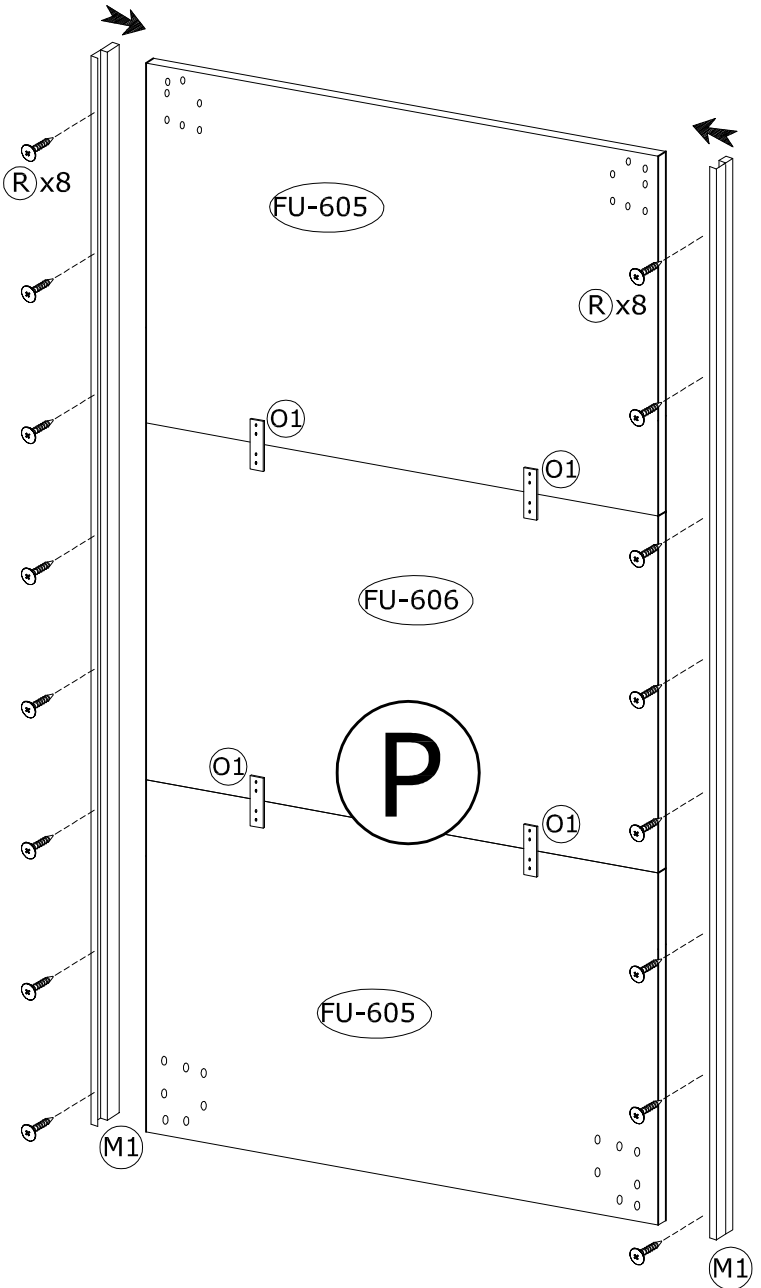
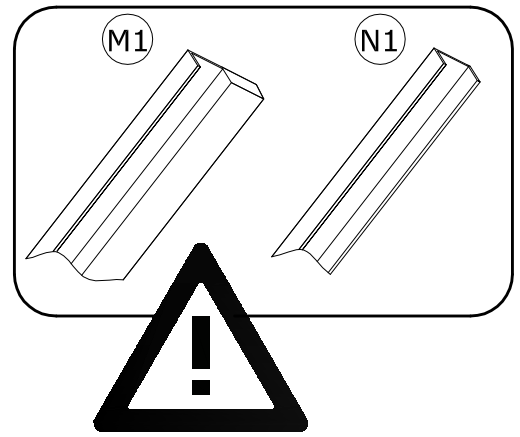
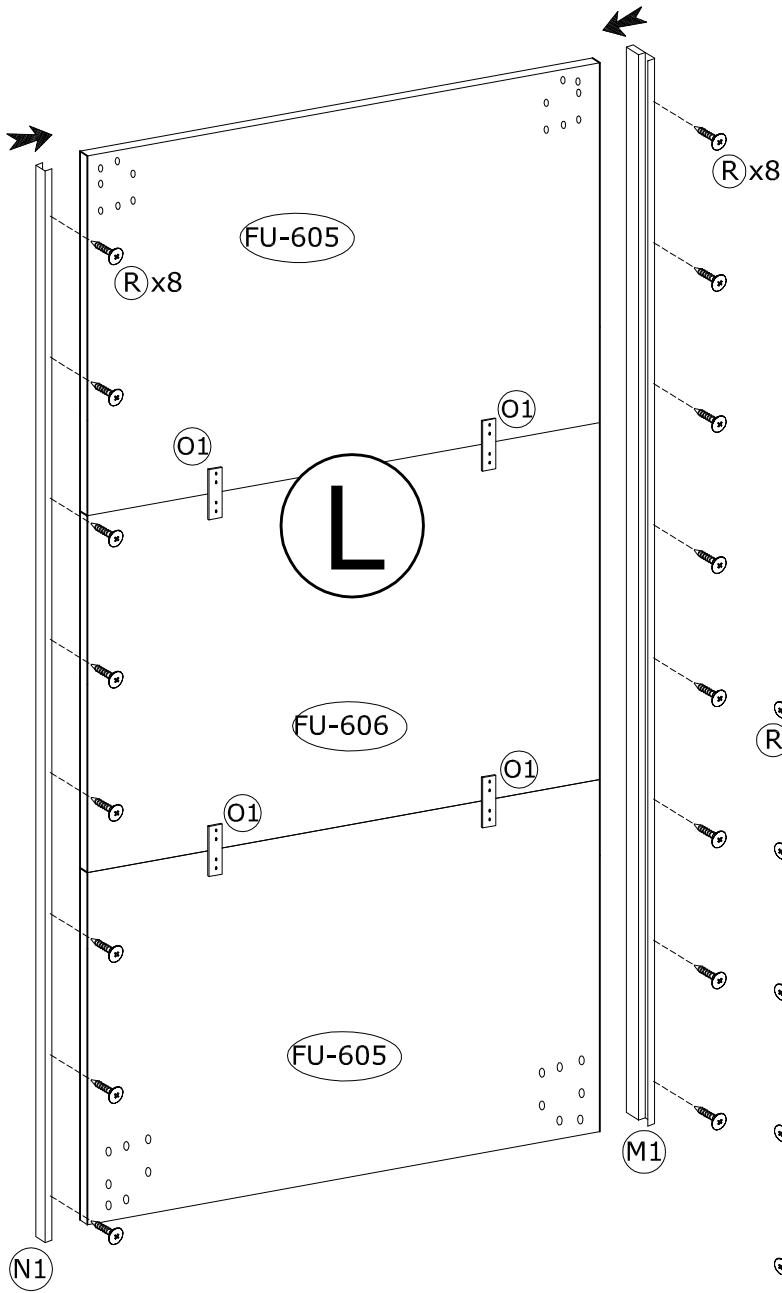
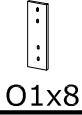
2x



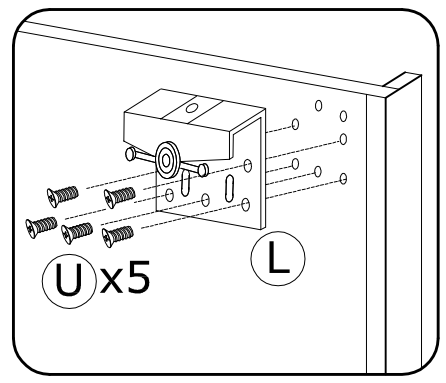
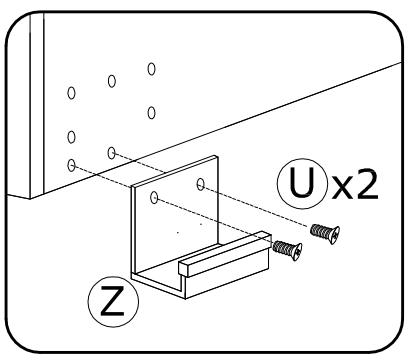
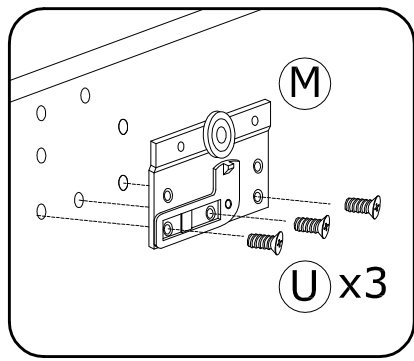
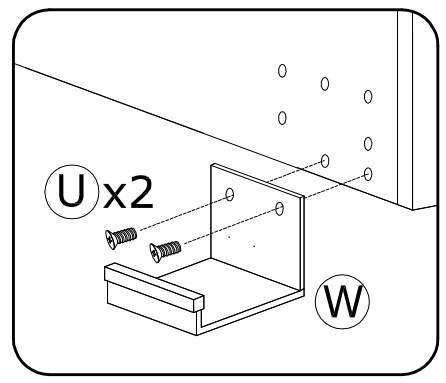
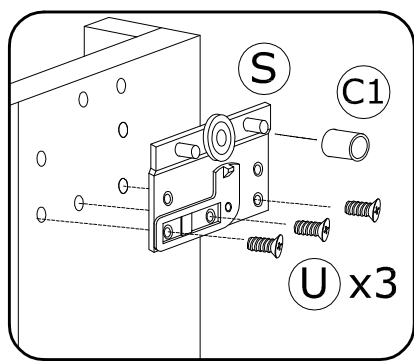
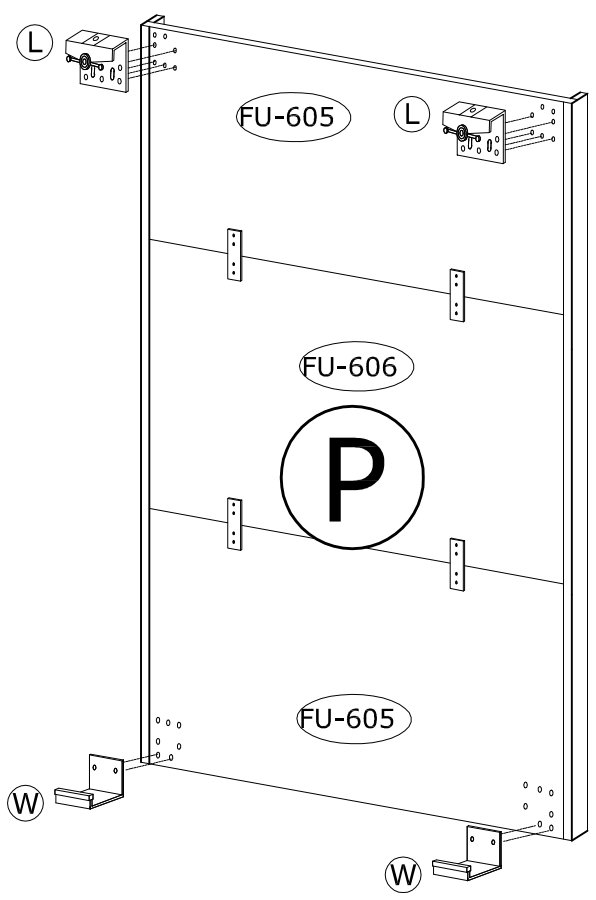
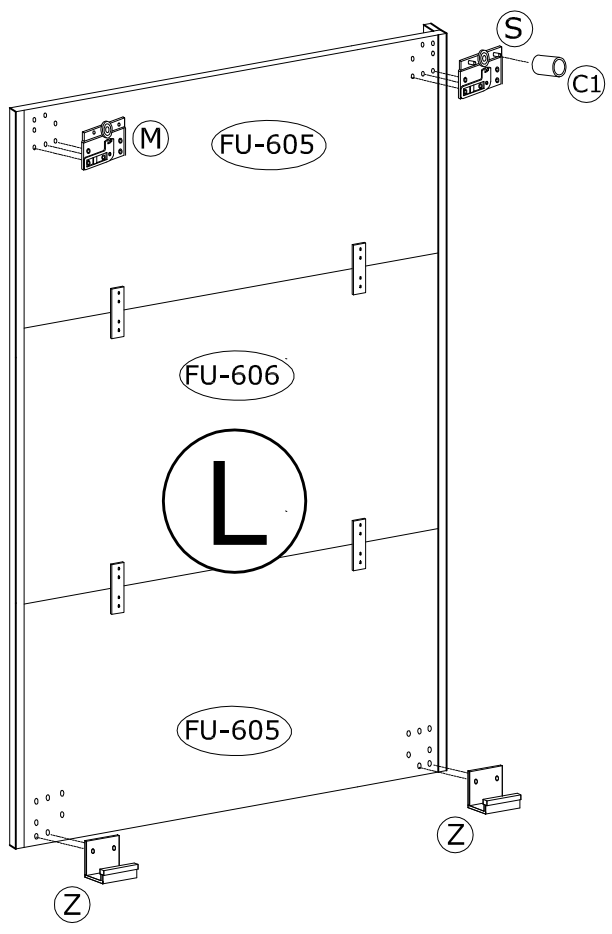
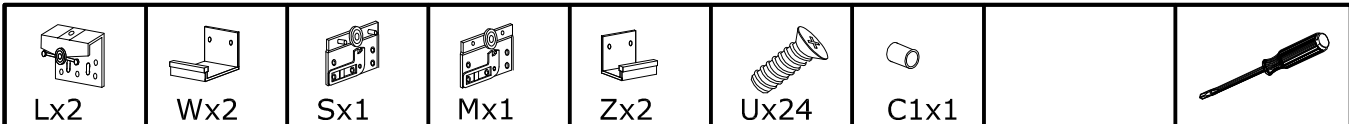
10



11



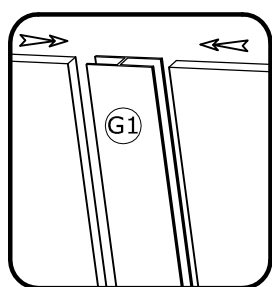
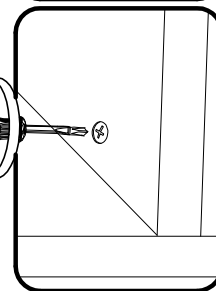
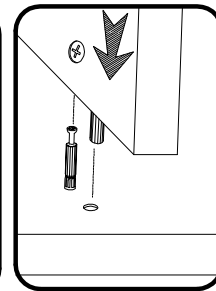
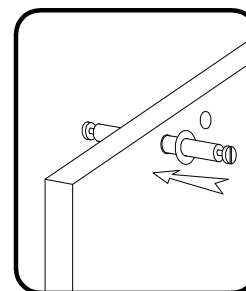
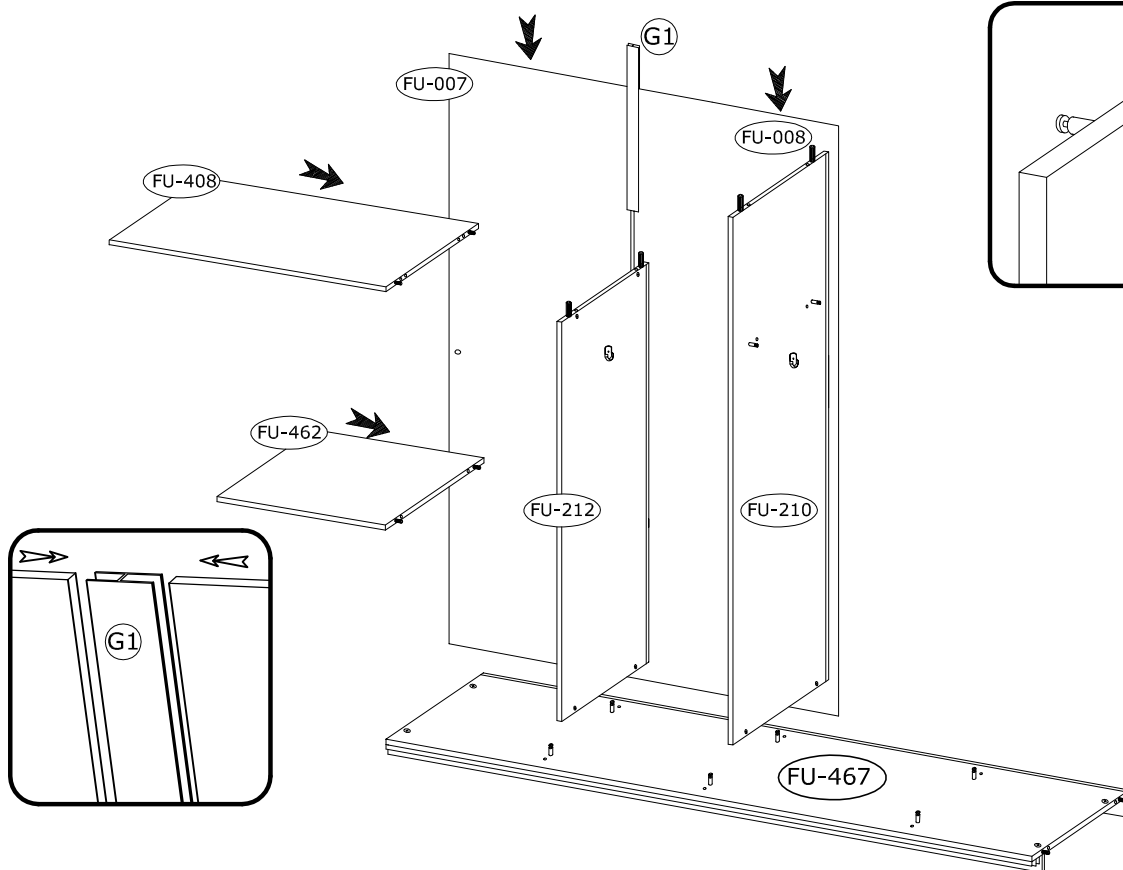
12



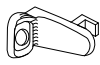
13



G1x1



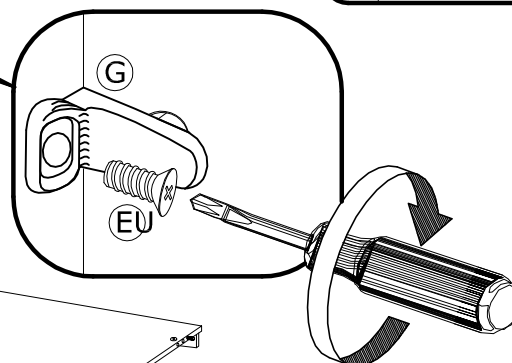
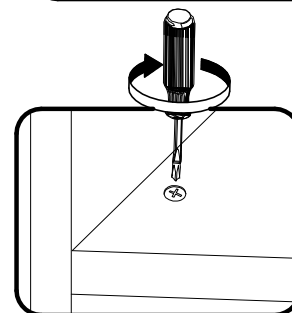
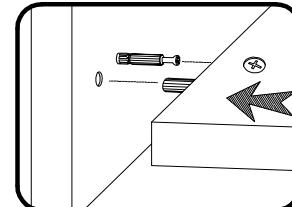
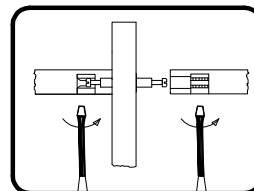
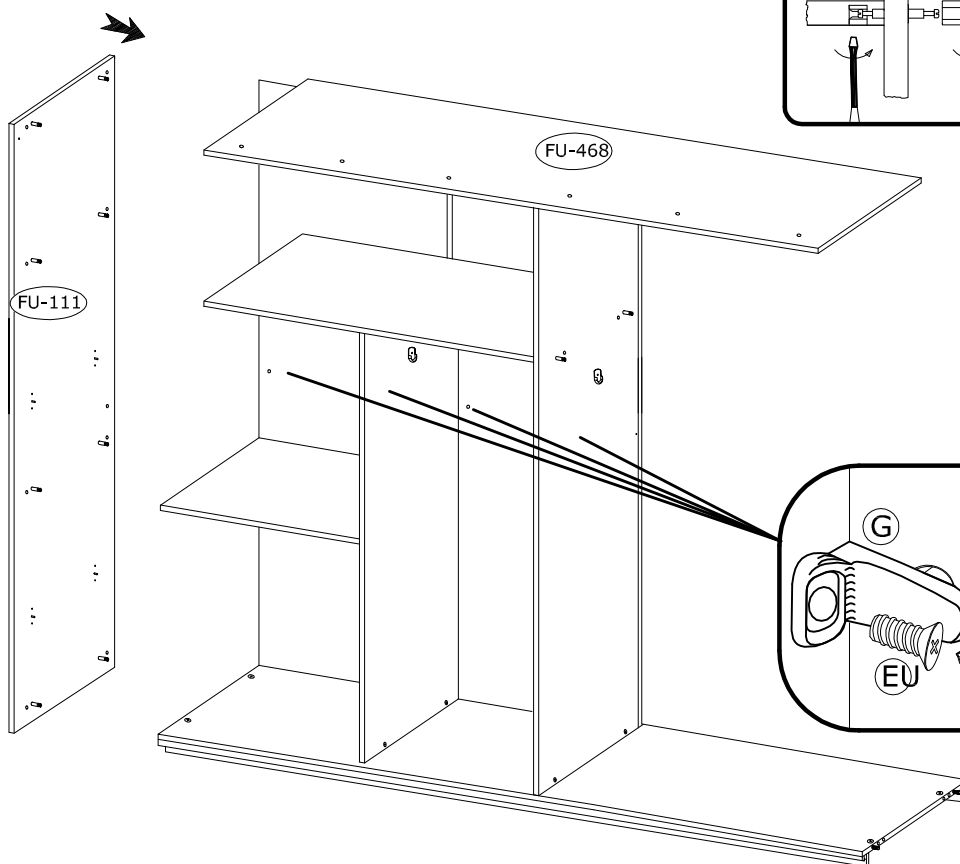
14



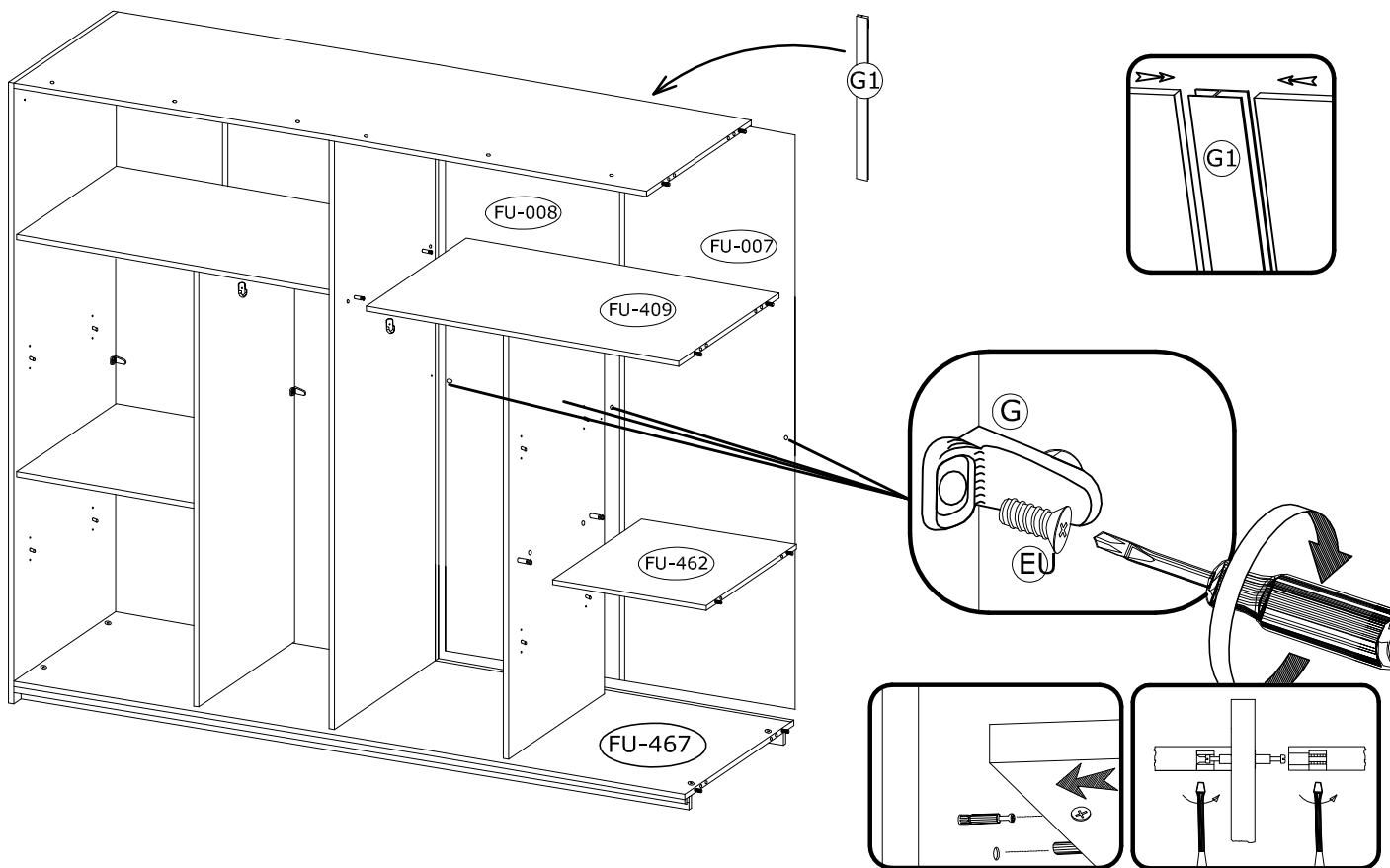
Gx4



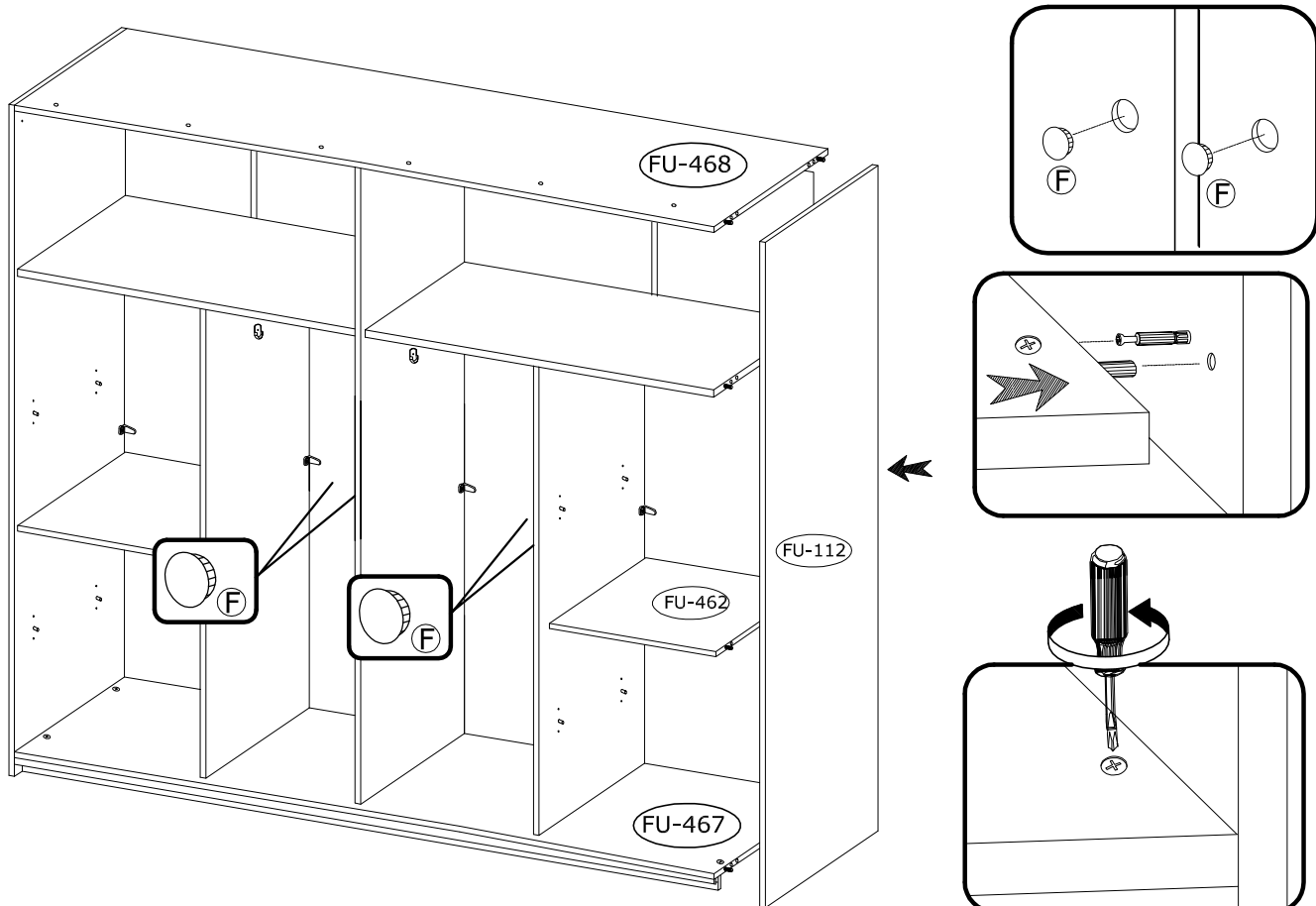
EUx4



15



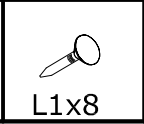
16



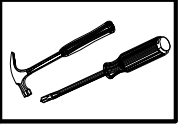
17



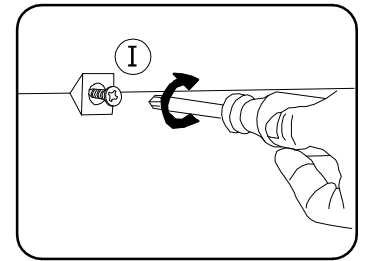
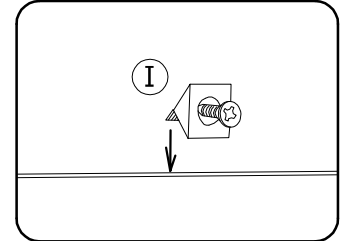
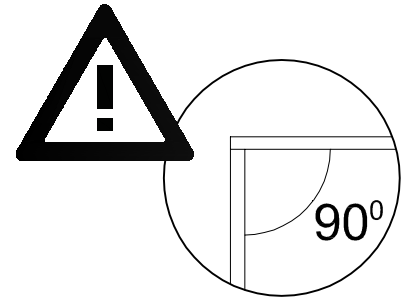
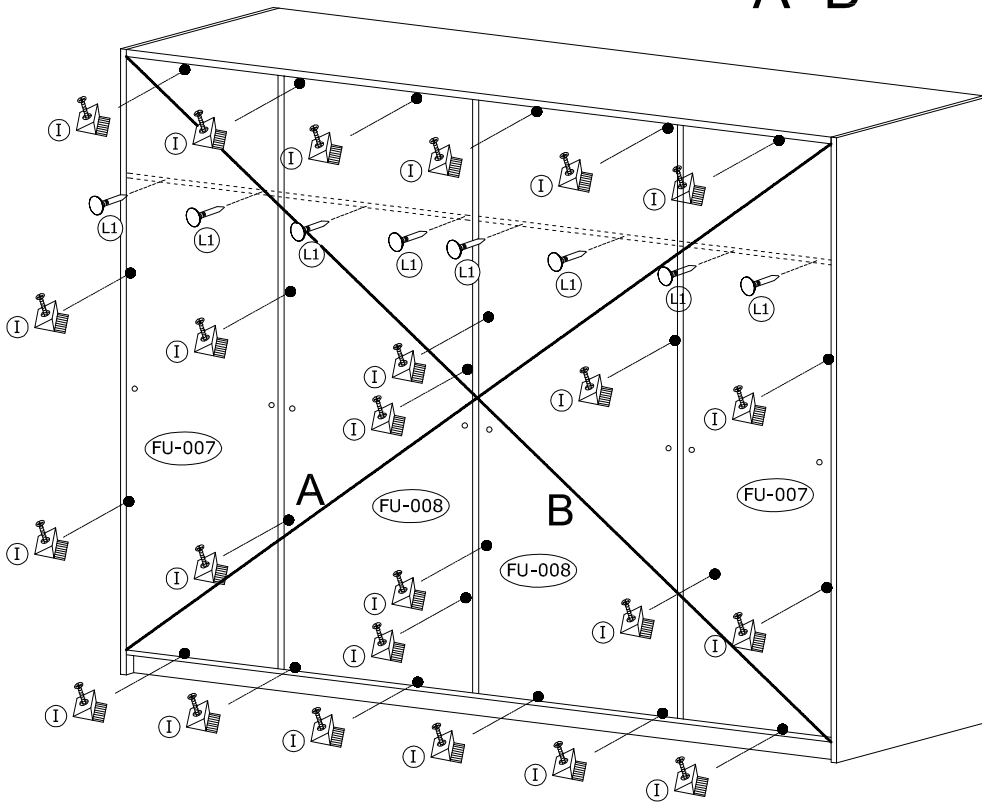
I-24



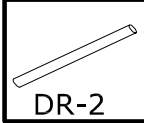
L1x8



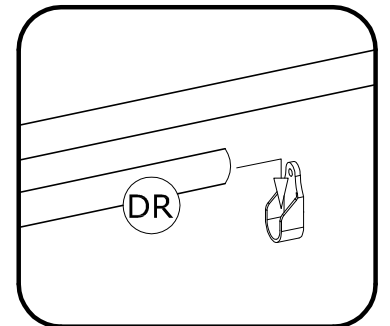
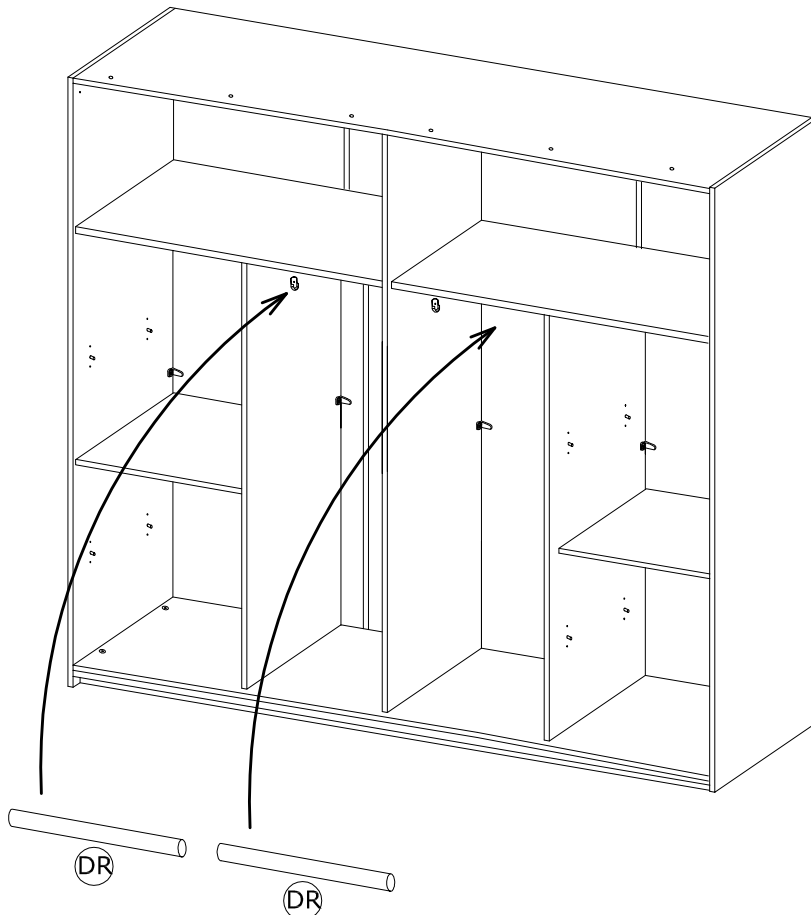
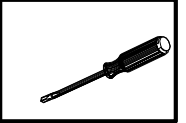
A=B



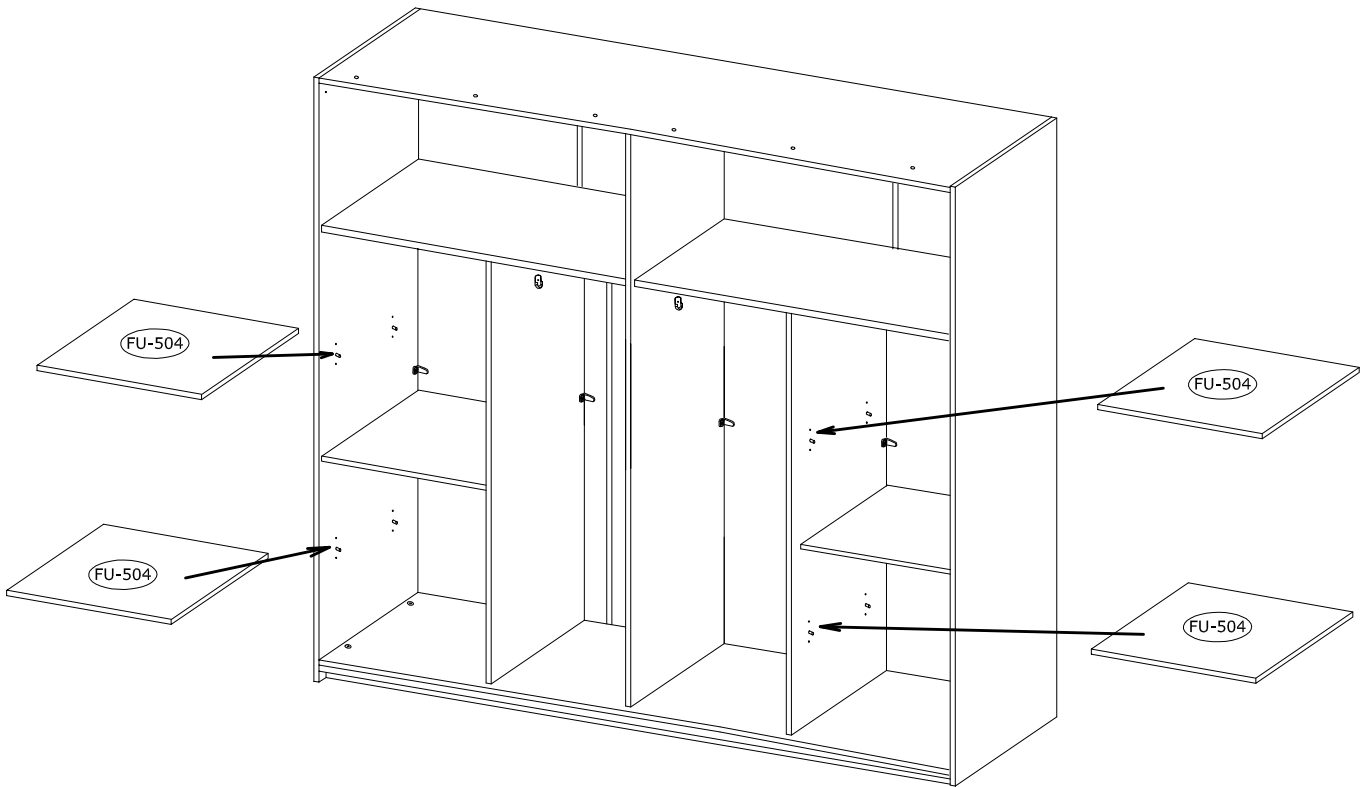
18



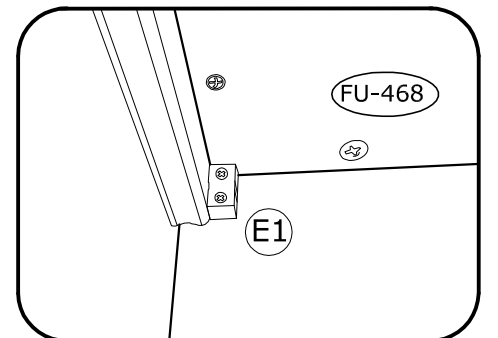
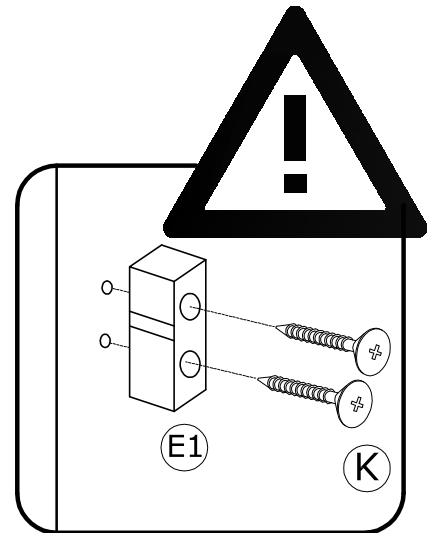
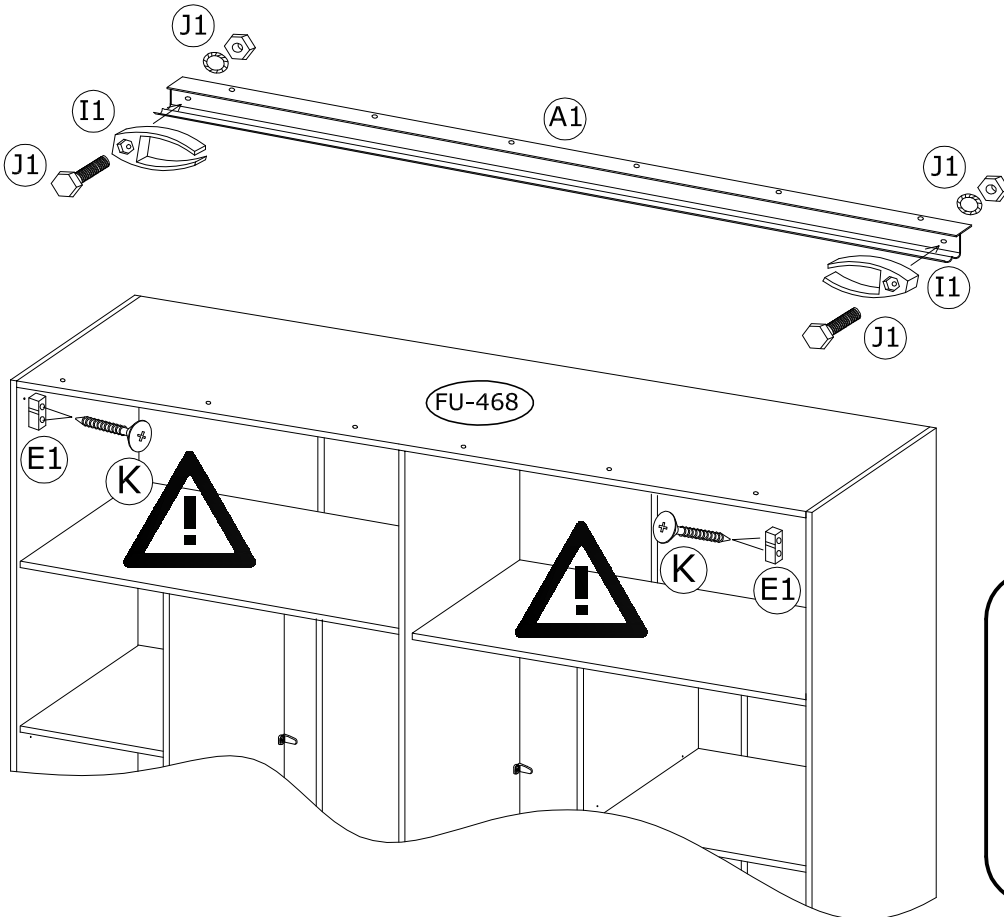
DR-2



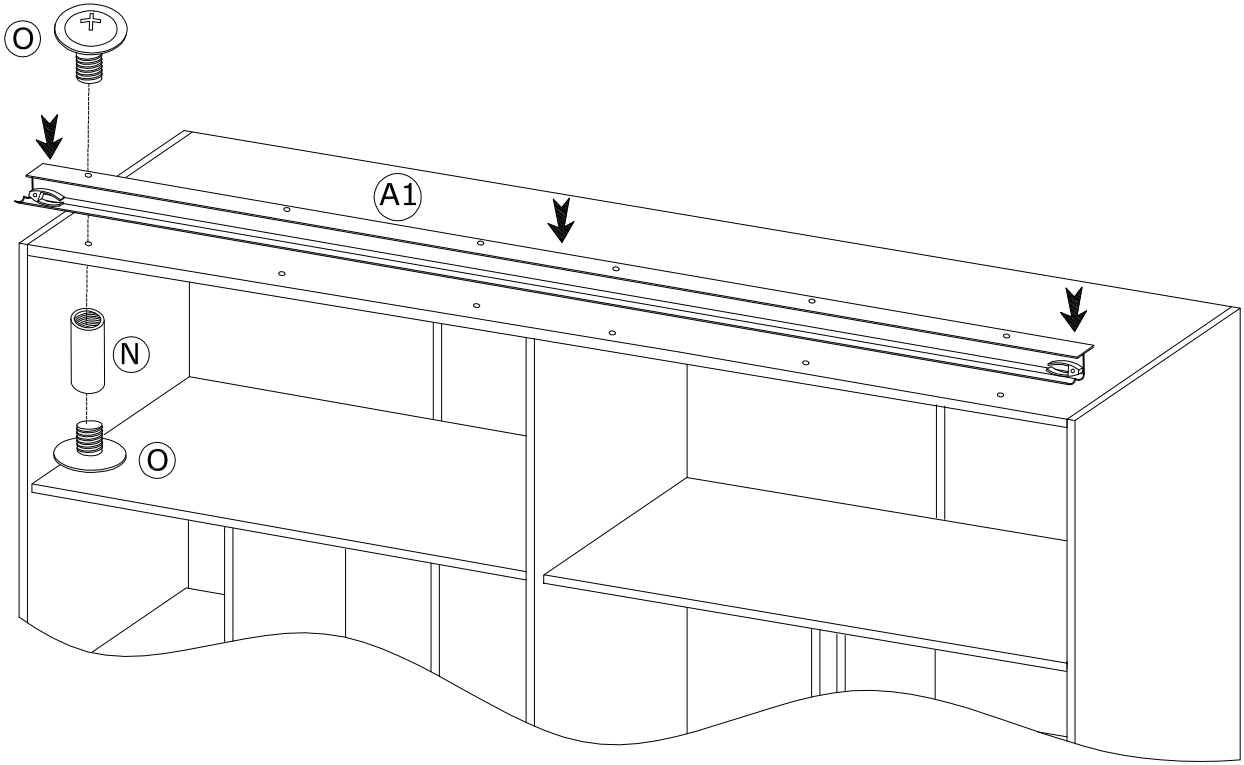
19



20



21



22

